

C.I.P.

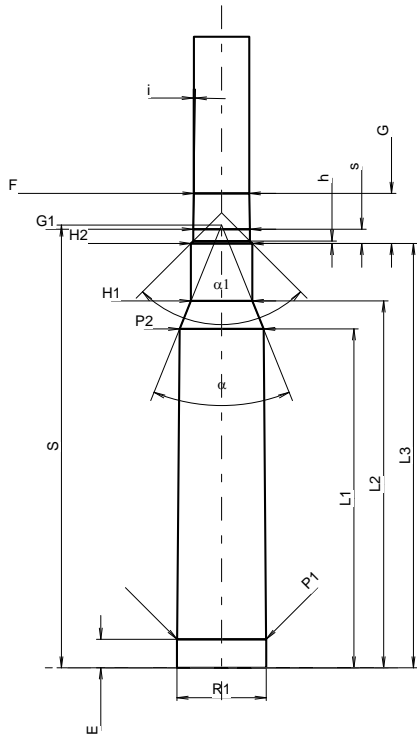
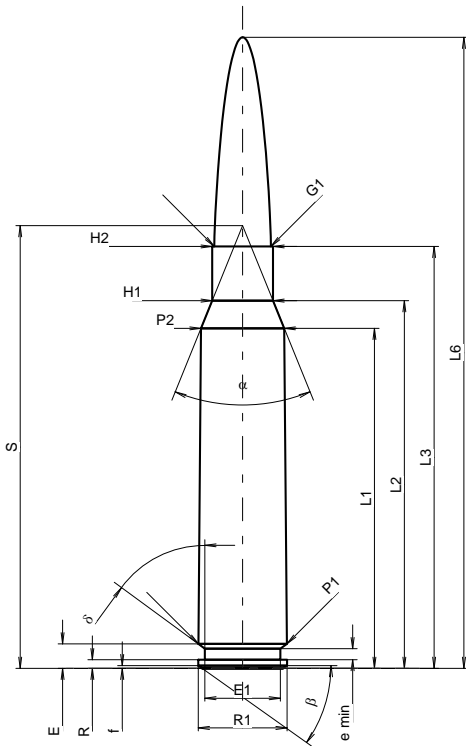
408 Chey Tac

Country of Origin: US

TAB. I

Date 13-05-22

Revision



Scale 1:1.38

Dimensions in << mm >>
Dimensions and Tolerances for Proof Barrels
see Appendix CR 1.

CARTRIDGE MAXI

Lengths

L1 ¹⁾	=	62.23	-0.20
L2 ¹⁾	=	67.31	-0.20
L3 ¹⁾	=	77.21	
L4	=		
L5	=		
L6	=	115.50	

Case Head

R	=	1.60	
R1	=	16.25	
R3	=		
E	=	4.47	
E1	=	13.80	
e min	=	2.00	
delta	=	53°44'	
f	=	0.50	
beta	=	35°20'	

Powder Chamber

P1	=	16.18	
P2 ¹⁾ *	=	15.24	-0.20

Junction Cone

alpha * ¹⁾	=	44°08'47"	
S * ¹⁾	=	81.02	
r1 min	=		
r2	=		

Collar

H1 * ¹⁾	=	11.12	
H2 ¹⁾	=	11.12	

Projectile

G1 ¹⁾	=	10.36	
G2	=		
F	=	10.16	
L3+G ¹⁾	=	86.35	

Pressures (Energies)

Method Transducer

Pmax	=	4400 bar	
PK	=	5060 bar	
PE	=	5500 bar	
M	=	25.00	
EE	=	10500 Joule	

Miscellaneous Dimensions

Fe ¹⁾³⁾	=	0.10	
delta L	=	0.03	

Notes: 1) Check for safety reasons
3) Headspace on Shoulder
* Basic dimensions

CHAMBER MINI

Lengths

L1	=	62.05	
L2	=	67.17	
L3 ¹⁾	=	77.69	

Breech

R	=		
R1	=	16.36	
R2	=		
R3	=		
r	=		

Powder Chamber

E	=	5.23	
P1 ¹⁾	=	16.30	
P2 * ¹⁾	=	15.36	

Junction Cone

alpha ^{1)*)}	=	44°01'36"	
S * ¹⁾	=	81.05	
r1 max	=		
r2	=		

Collar

H1 * ¹⁾	=	11.22	
H2 ¹⁾	=	11.22	

Commencement of Rifling

G1 ^{1)*)}	=	10.37	
G ¹⁾	=	9.14	
alpha1	=	90°	
h	=	0.42	
s * ¹⁾	=	2.58	
i ^{1)*)}	=	0°55'1"	
w	=		

Barrel

F ^{1)*)}	=	10.16	
Z ¹⁾	=	10.36	

Grooves

b	=	2.57	
N	=	8	
u	=	330.20	
Q	=	83.15	mm ²